

TOSHIBA PHOTOCOUPLER GaAs IRED & PHOTO-TRANSISTOR

TLP627, TLP627-2, TLP627-4

PROGRAMMABLE CONTROLLERS
DC-OUTPUT MODULE
TELECOMMUNICATION

The TOSHIBA TLP627,-2 and -4 consists of a gallium arsenide infrared emitting diode optically coupled to a darlington connected phototransistor which has an integral base-emitter resistor to optimize switching speed and elevated temperature characteristics.

The TLP627-2 offers two isolated channels in a eight lead plastic DIP, while the TLP627-4 provide four isolated channels per package.

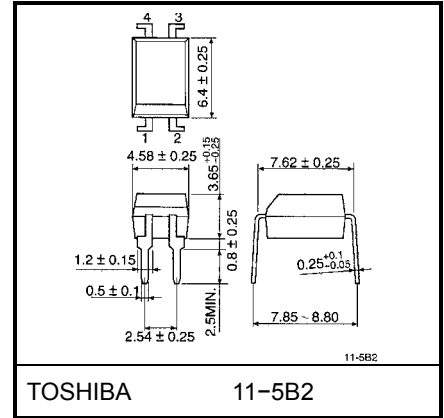
- Collector-Emitter Voltage : 300V(Min)
- Current Transfer Ratio : 1000%(Min)
- Isolation Voltage : 5000Vrms(Min)
- UL Recognized : UL1577,File No.E67349

	MADE IN JAPAN	MADE IN THAILAND
UL Recognized	E67349 *1	E152349 *1
BSI Approved	7426, 7427 *2	7426, 7427 *2

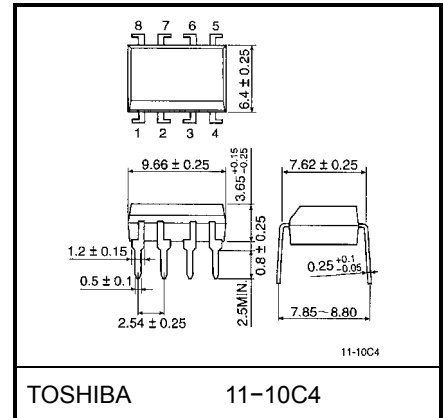
*1 UL1577

*2 BS EN60065 : 1994, BS EN60950: 1992

Unit in mm

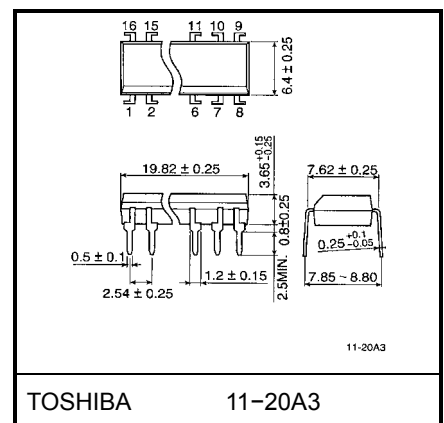
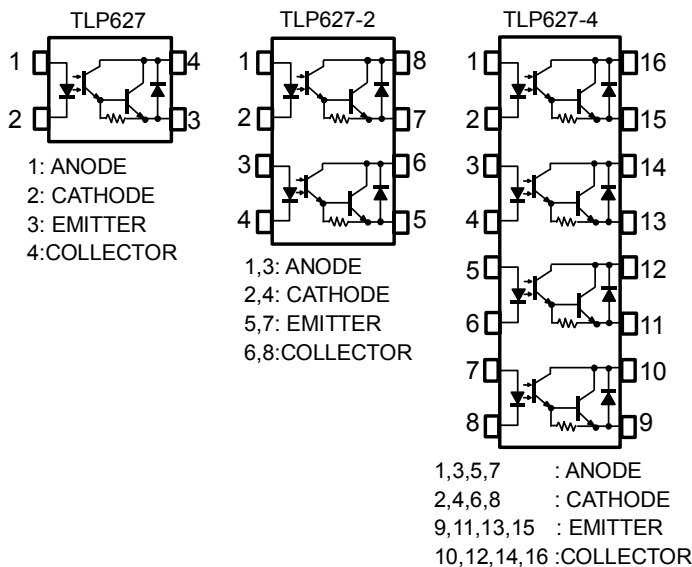


Weight: 0.26 g



Weight: 0.54 g

PIN CONFIGURATION (TOP VIEW)



Weight: 1.1 g

MAXIMUM RATINGS(Ta=25°C)

CHARACTERISTIC		SYMBOL	RATING		UNIT
			TLP627	TLP627-2 TLP627-4	
LED	Forward Current	I_F	60	50	mA
	Forward Current Derating	$\Delta I_F / ^\circ\text{C}$	-0.7(Ta \geq 39°C)	-0.5(Ta \geq 25°C)	mA / °C
	Pulse Forward Current	I_{FP}	1(100 μ s pulse, 100pps)		A
	Power Dissipation (1 Circuit)	P_D	100	70	mW
	Power Dissipation Derating (Ta \geq 25°C, 1 Circuit)	$\Delta P_D / ^\circ\text{C}$	-1.0	-0.7	mW / °C
	Reverse Voltage	V_R	5		V
	Junction Temperature	T_J	125		°C
DETECTOR	Collector-Emitter Voltage	V_{CEO}	300		V
	Emitter -Collector Voltage	V_{ECO}	0.3		V
	Collector Current	I_C	150		mA
	Collector Power Dissipation (1 Circuit)	P_C	150(*300)	100	mW
	Collector Power Dissipation Derating (Ta \geq 25°C, 1 Circuit)	$\Delta P_C / ^\circ\text{C}$	-1.5(*-3.5)	-1.0	mW / °C
	Junction Temperature	T_j	125		°C
	Operating Temperature Range	T_{opr}	-55~100		°C
Storage Temperature Range	T_{stg}	-55~125		°C	
Lead Soldering Temperature (10s)	T_{sold}	260(10sec)		°C	
Total Package Power Dissipation	P_T	250(*320)	150	mW	
Total Package Power Dissipation Derating (Ta \geq 25°C, 1 Circuit)	$\Delta P_T / ^\circ\text{C}$	-2.5(*-3.2)	-1.5	mW / °C	
Isolation Voltage (AC, 1min. , R.H. \leq 60%) (Note1)	BV_S	5000		V _{rms}	

*IF=20mA Max

(Note1) Device considered a two terminal device : LED side pins Shorted together and DETECTOR side pins shorted together.

RECOMMENDED OPERATING CONDITIONS

CHARACTERISTIC	SYMBOL	MIN.	TYP.	MAX.	UNIT
Supply Voltage	V_{CC}	—	—	200	V
Forward Current	I_F	—	16	25	mA
Collector Current	I_C	—	—	120	mA
Operating Temperature	T_{opr}	-25	—	85	°C

INDIVIDUAL ELECTRICAL CHARACTERISTICS (Ta=25°C)

CHARACTERISTIC		SYMBOL	TEST CONDITION	MIN.	TYP.	MAX.	UNIT
LED	Forward Voltage	V_F	$I_F = 10 \text{ mA}$	1.0	1.15	1.3	V
	Reverse Current	I_R	$V_R = 5 \text{ V}$	—	—	10	μA
	Capacitance	C_T	$V = 0, f = 1\text{MHz}$	—	30	—	pF
DETECTOR	Collector-Emitter Breakdown Voltage	$V_{(BR)CEO}$	$I_C = 0.1\text{mA}$	300	—	—	V
	Emitter-Collector Breakdown Voltage	$V_{(BR)ECO}$	$I_E = 0.1\text{mA}$	0.3	—	—	V
	Collector Dark Current	I_{CEO}	$V_{CE} = 200\text{V}$	—	10	200	nA
			$V_{CE} = 200\text{V}, T_a = 85^\circ\text{C}$	—	—	20	μA
Capacitance Collector to Emitter	C_{CE}	$V=0, f=1\text{MHz}$	—	10	—	pF	

COUPLED ELECTRICAL CHARACTERISTICS (Ta=25°C)

CHARACTERISTIC	SYMBOL	TEST CONDITION	MIN.	TYP.	MAX.	UNIT
Current Transfer Ratio	I_C/I_F	$I_F=1\text{mA}, V_{CE}=1\text{V}$	1000	4000	—	%
Saturated CTR	$I_C/I_F(\text{sat})$	$I_F=10\text{mA}, V_{CE}=1\text{V}$	500	—	—	%
Collector-Emitter Saturation Voltage	$V_{CE}(\text{sat})$	$I_C=10\text{mA}, I_F=1\text{mA}$	—	—	1.0	V
		$I_C=100\text{mA}, I_F=10\text{mA}$	0.3	—	1.2	

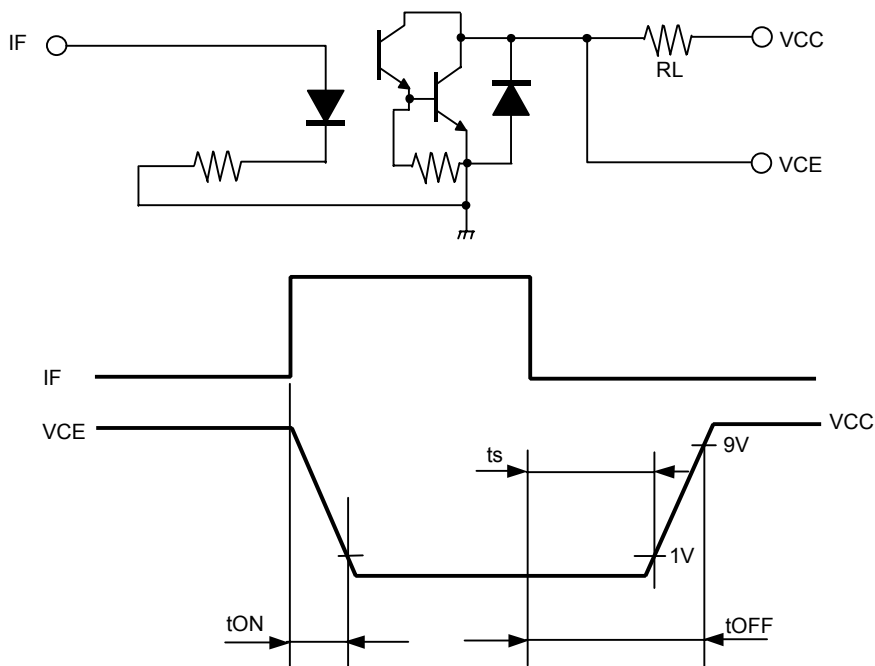
ISOLATION ELECTRICAL CHARACTERISTICS (Ta=25°C)

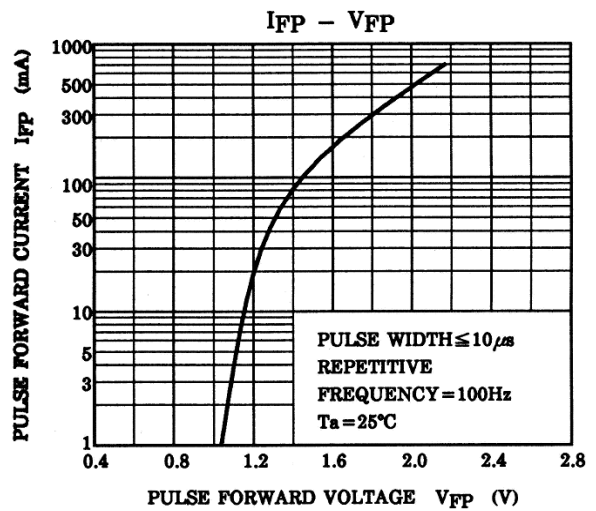
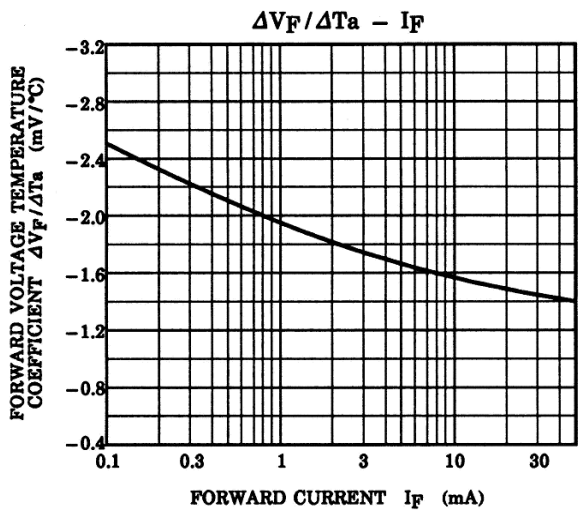
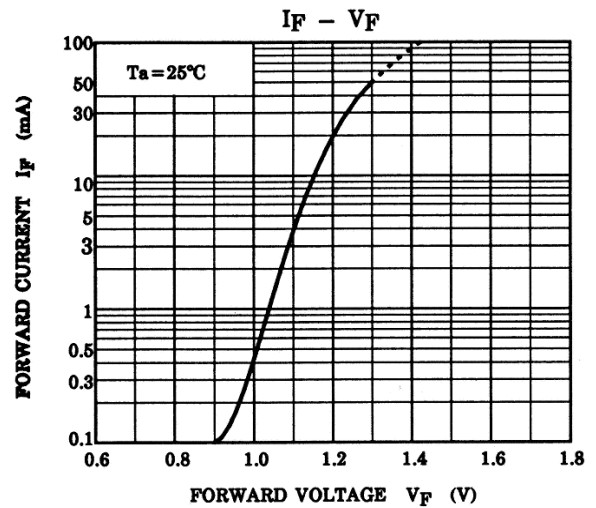
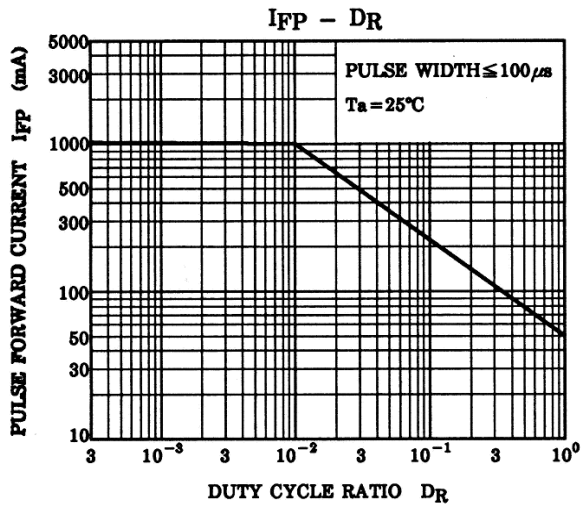
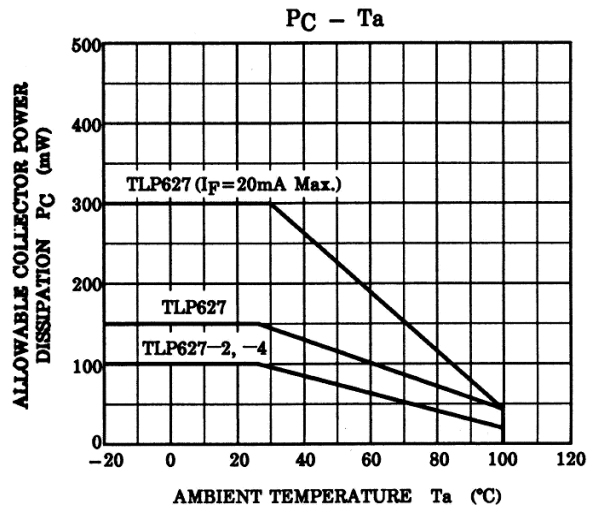
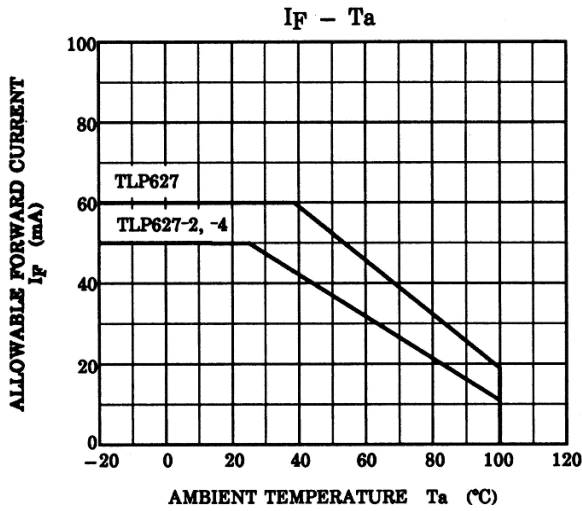
CHARACTERISTIC	SYMBOL	TEST CONDITION	MIN.	TYP.	MAX.	UNIT
Capacitance Input to Output	C_S	$V_S=0, f=1\text{MHz}$	—	0.8	—	pF
Isolation Resistance	R_S	$V_S=500\text{V}, \text{R.H.} \leq 60\%$	5×10^{10}	10^{14}	—	Ω
Isolation Voltage	BVs	AC, 1minute	5000	—	—	Vrms
		AC, 1second, in oil	—	10000	—	
		DC, 1 minute, in oil	—	10000	—	Vdc

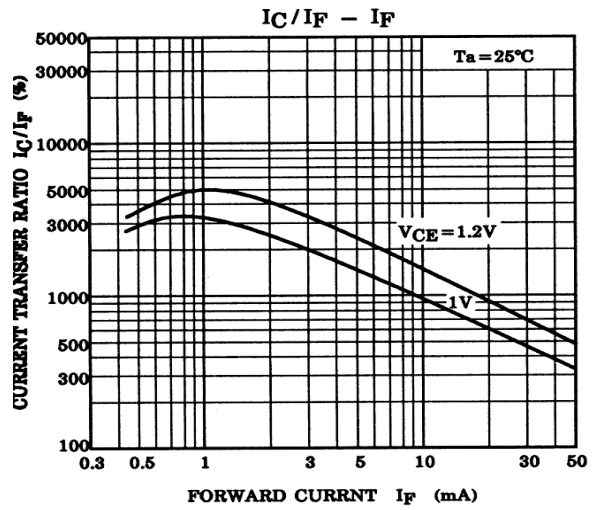
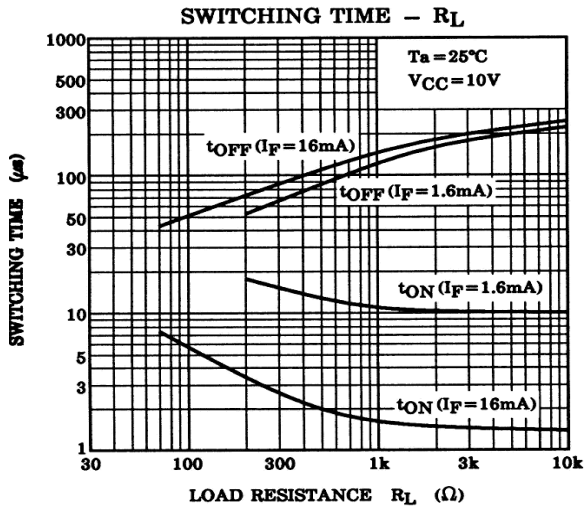
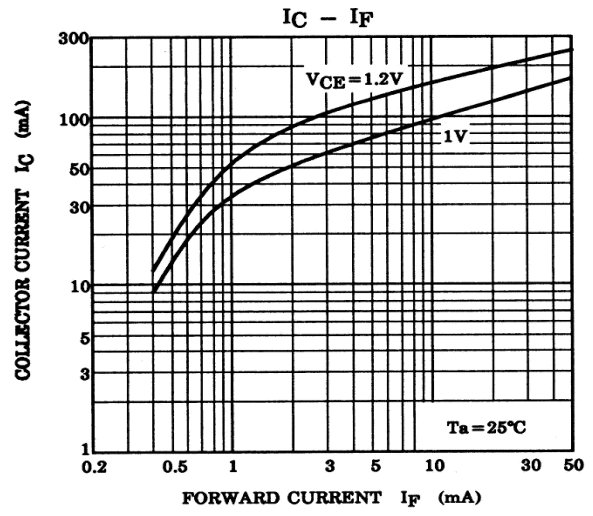
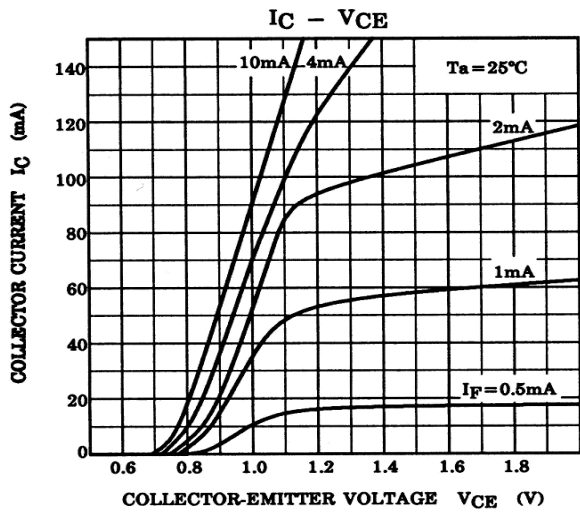
SWITCHING CHARACTERISTICS (Ta=25°C)

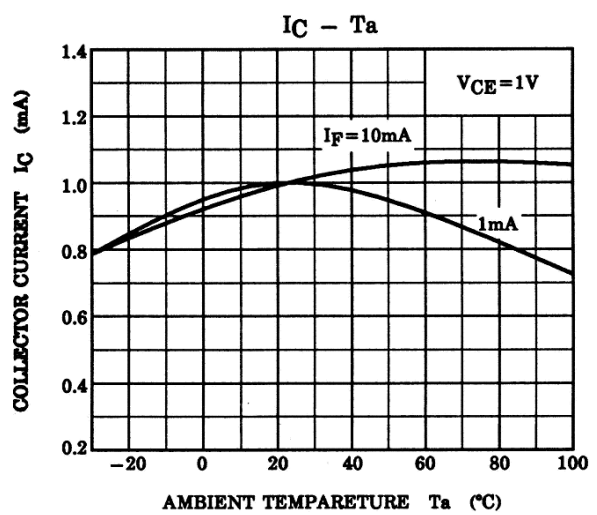
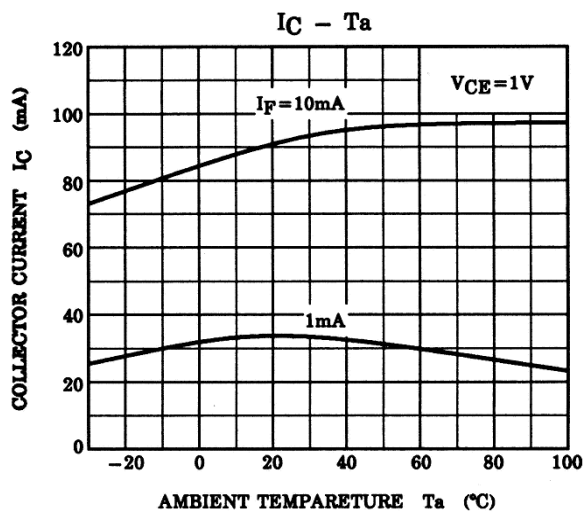
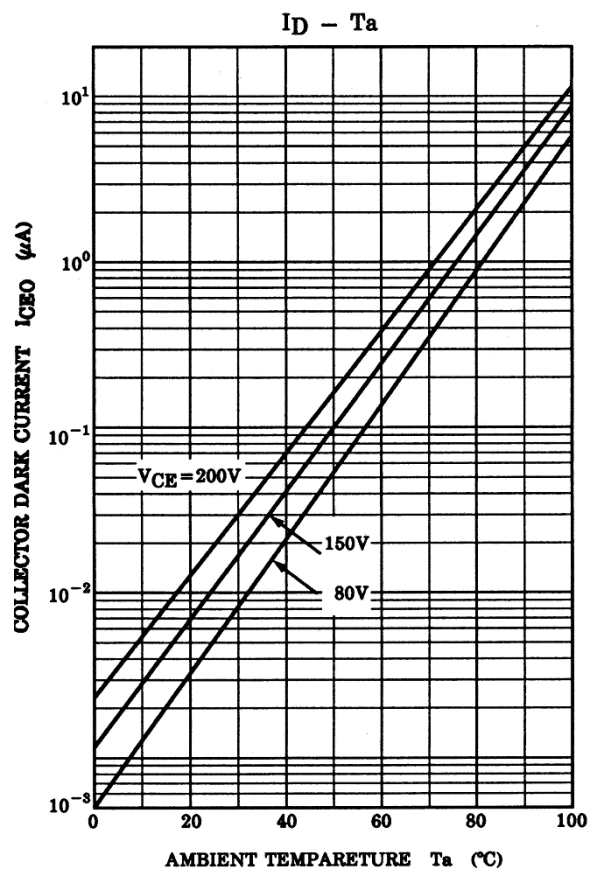
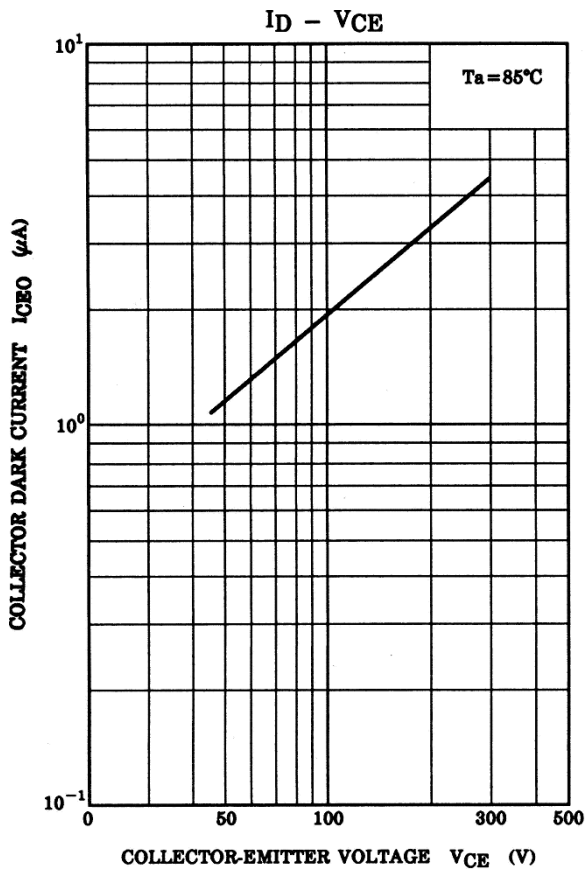
CHARACTERISTIC	SYMBOL	TEST CONDITION	MIN.	TYP.	MAX.	UNIT
Rise Time	tr	V _{CC} =10V I _C =10mA R _L =100Ω	—	40	—	μs
Fall Time	tf		—	15	—	
Turn-on Time	ton		—	50	—	
Turn-off Time	toff		—	15	—	
Turn-on Time	tON	R _L =180Ω (Fig.1)	—	5	—	
Storage Time	ts	V _{CC} =10V, I _F =16mA	—	40	—	
Turn-off Time	tOFF		—	80	—	

Fig.1 SWITCHING TIME TEST CIRCUIT









RESTRICTIONS ON PRODUCT USE

000707EBC

- TOSHIBA is continually working to improve the quality and reliability of its products. Nevertheless, semiconductor devices in general can malfunction or fail due to their inherent electrical sensitivity and vulnerability to physical stress. It is the responsibility of the buyer, when utilizing TOSHIBA products, to comply with the standards of safety in making a safe design for the entire system, and to avoid situations in which a malfunction or failure of such TOSHIBA products could cause loss of human life, bodily injury or damage to property.
In developing your designs, please ensure that TOSHIBA products are used within specified operating ranges as set forth in the most recent TOSHIBA products specifications. Also, please keep in mind the precautions and conditions set forth in the "Handling Guide for Semiconductor Devices," or "TOSHIBA Semiconductor Reliability Handbook" etc..
- The TOSHIBA products listed in this document are intended for usage in general electronics applications (computer, personal equipment, office equipment, measuring equipment, industrial robotics, domestic appliances, etc.). These TOSHIBA products are neither intended nor warranted for usage in equipment that requires extraordinarily high quality and/or reliability or a malfunction or failure of which may cause loss of human life or bodily injury ("Unintended Usage"). Unintended Usage include atomic energy control instruments, airplane or spaceship instruments, transportation instruments, traffic signal instruments, combustion control instruments, medical instruments, all types of safety devices, etc.. Unintended Usage of TOSHIBA products listed in this document shall be made at the customer's own risk.
- Gallium arsenide (GaAs) is a substance used in the products described in this document. GaAs dust and fumes are toxic. Do not break, cut or pulverize the product, or use chemicals to dissolve them. When disposing of the products, follow the appropriate regulations. Do not dispose of the products with other industrial waste or with domestic garbage.
- The products described in this document are subject to the foreign exchange and foreign trade laws.
- The information contained herein is presented only as a guide for the applications of our products. No responsibility is assumed by TOSHIBA CORPORATION for any infringements of intellectual property or other rights of the third parties which may result from its use. No license is granted by implication or otherwise under any intellectual property or other rights of TOSHIBA CORPORATION or others.
- The information contained herein is subject to change without notice.